

# Offline Power Supply Using the FARM™ AC Front-End Module

John Harding  
Senior Applications Engineer



Contents	Page
<a href="#">Overview</a>	<a href="#">1</a>
<a href="#">Strap (ST) Pin</a>	<a href="#">1</a>
<a href="#">Enable (EN) Pin</a>	<a href="#">1</a>
<a href="#">Bus-OK (BOK) Pin</a>	<a href="#">3</a>
<a href="#">Filter</a>	<a href="#">3</a>
<a href="#">Functional Description</a>	<a href="#">4</a>
<a href="#">Power-Up Sequence</a>	<a href="#">4</a>
<a href="#">Power-Down Sequence</a>	<a href="#">5</a>
<a href="#">Determining Required Hold-Up Capacitors</a>	<a href="#">5</a>
<a href="#">Example</a>	<a href="#">7</a>
<a href="#">Determining Required Hold-Up Capacitance</a>	<a href="#">7</a>
<a href="#">Determining Ride-Through Time</a>	<a href="#">7</a>
<a href="#">Determining Ripple Voltage on Hold-Up Capacitors</a>	<a href="#">8</a>
<a href="#">Determining Ripple on the Output of the DC-DC Converter</a>	<a href="#">8</a>

An autoranging, high-density, low-profile switching power supply can be realized using Vicor DC-DC converters and an AC Front-End Module (FARM).

## Overview

In addition to providing transient / surge immunity and EMI filtering, the FARM (Filter / Autoranging Rectifier Module) contains all of the power switching and control circuitry necessary for autoranging rectification, inrush current limiting, and overvoltage protection. This module also provides converter enable and status functions for orderly power-up / -down control or sequencing. To complete the AC front-end configuration, the user only needs to add hold-up capacitors and a few additional discrete components.

The FARM maintains the DC output bus voltage between 250 and 370V<sub>DC</sub> over the entire input voltage range, which is compatible with the Vicor Maxi, Mini, Micro Series, 300V input converters as well as VI-26x and VI-J6x DC-DC converters. The FARM automatically switches to the proper bridge or doubler mode depending on the input voltage, eliminating the possibility of damage due to improper line connection. The FARM1xxx is rated at 500W in the low range (90 – 132V<sub>AC</sub> input), and 750W in the high range (180 – 264V<sub>AC</sub> input). The FARM2xxx is rated for 750W and 1000W for the low and high input ranges respectively. Either of these modules can serve as the AC front-end for any number and combination of compatible converters as long as the maximum-power rating is not exceeded.

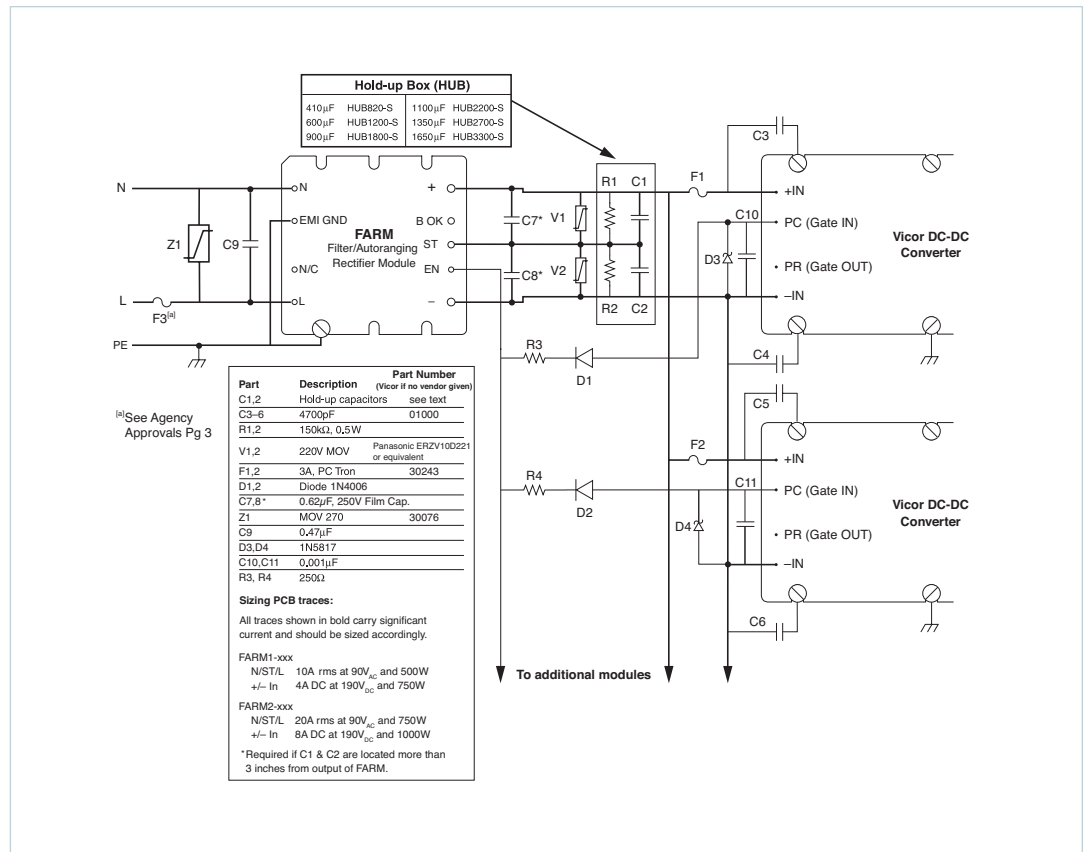
## Strap (ST) Pin

In addition to input and output power pin connections, it is necessary to connect the Strap pin to the junction of the series hold-up capacitors C1, C2 (Figure 1) for proper autoranging operation. Gas tubes across the capacitors provide input transient protection. The bleeder resistors (R1, R2) discharge the hold-up capacitors when power is switched off.

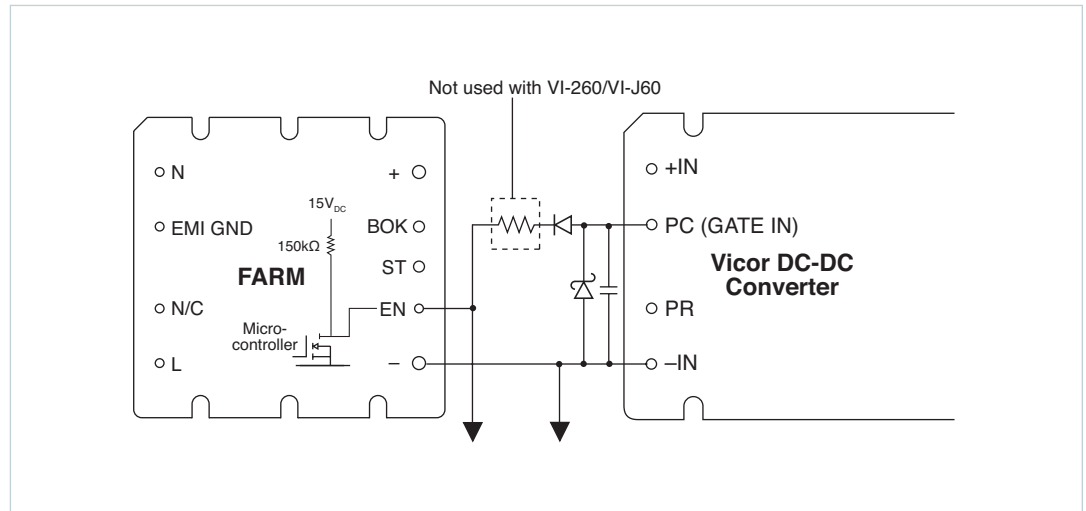
## Enable (EN) Pin

The Enable pin (see Figure 2) must be connected to the PC or GATE IN pin of all converter modules to disable the converters during power up. Otherwise, the converters would attempt to start while the hold-up capacitors were being charged through an unbypassed thermistor. This condition prevents the bus voltage from reaching the thermistor bypass threshold thus disabling the power supply. The Enable output (the drain of an N channel MOSFET) is internally pulled up to 15V through a 150kΩ resistor.

**Figure 1**  
Converter connections



**Figure 2**  
Enable (EN) function



A signal diode should be placed close to and in series with the PC (or Gate In) pin of each converter to eliminate the possibility of control interference between converters. The Enable pin switches to the high state (15V) with respect to the negative output power pin to turn on the converters after the power-up inrush is over. The Enable function also provides input overvoltage protection for the converters by turning off the converters if the DC bus voltage exceeds 400V<sub>DC</sub>. The thermistor bypass switch opens if this condition occurs, placing the thermistor in series with the input voltage, which limits input current in case the gas tubes fire. The thermistor bypass switch also opens if a fault or overload reduces the bus voltage to less than 180V<sub>DC</sub>.

## Bus-OK (BOK) Pin

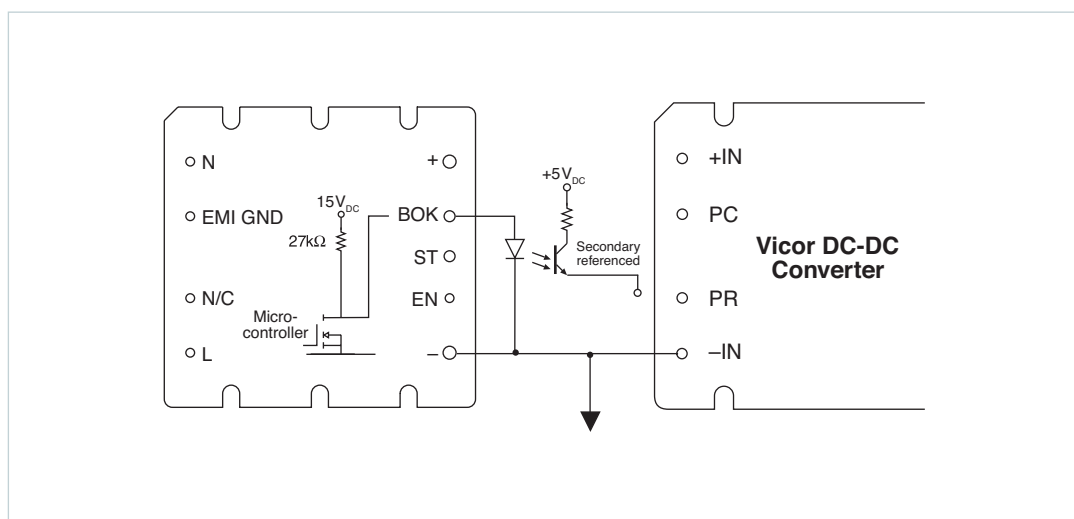
(See Figure 3.) The Bus-OK pin is intended to provide early-warning power fail information and is also referenced to the negative output pin.

**Caution:** There is no input to output isolation in the FARM. It is necessary to monitor Bus-OK via an optoisolator if it is to be used on the secondary (output) side of the converters. A line isolation transformation should be used when performing scope measurements. Scope probes should never be applied simultaneously to the input and output as this will destroy the unit.

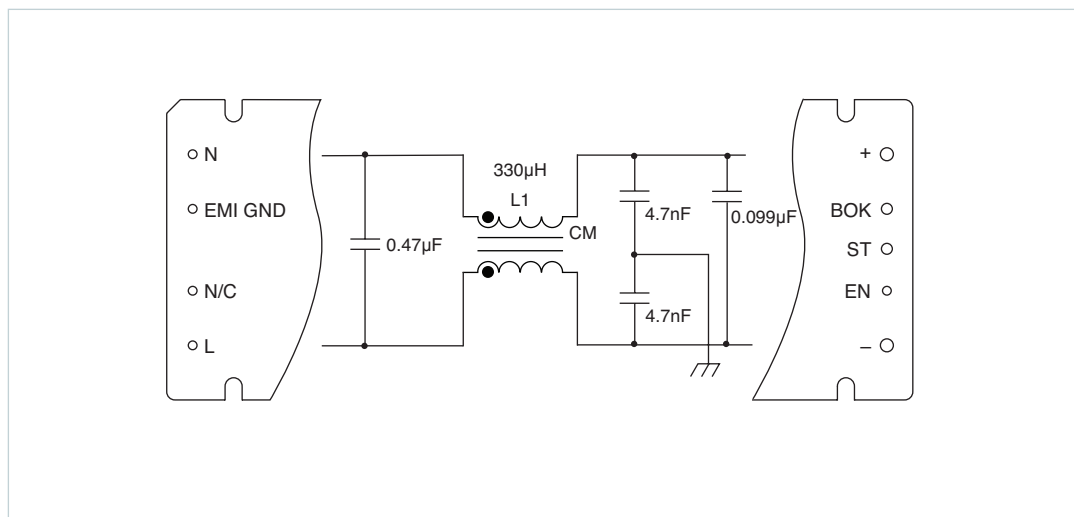
## Filter

(See Figure 4.) An integral input filter consists of a common-mode choke and Y-rated capacitors (line-ground) plus two X-rated capacitors (line-line). This filter configuration provides sufficient common mode and differential mode insertion loss in the frequency range between 100kHz and 30MHz to comply with the Level B conducted emissions limit for most combinations of DC-DC converters, as illustrated in Figure 5. High-power converters may require an additional stage of common-mode filter before the FARM module.

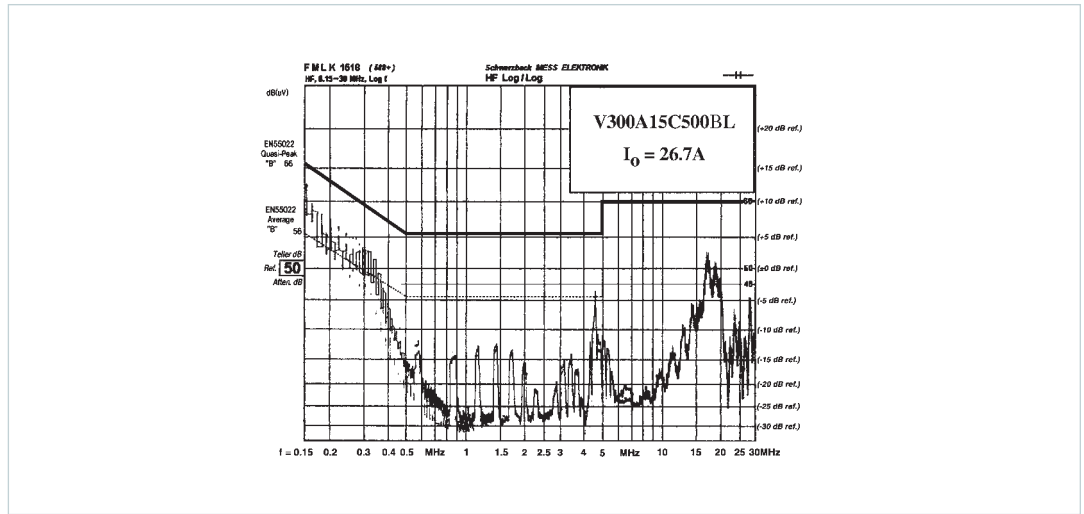
**Figure 3**  
BUS OK (BOK) isolated power status indicator



**Figure 4**  
Internal filter



**Figure 5**  
Conducted emissions  
(V300A15C500BL)

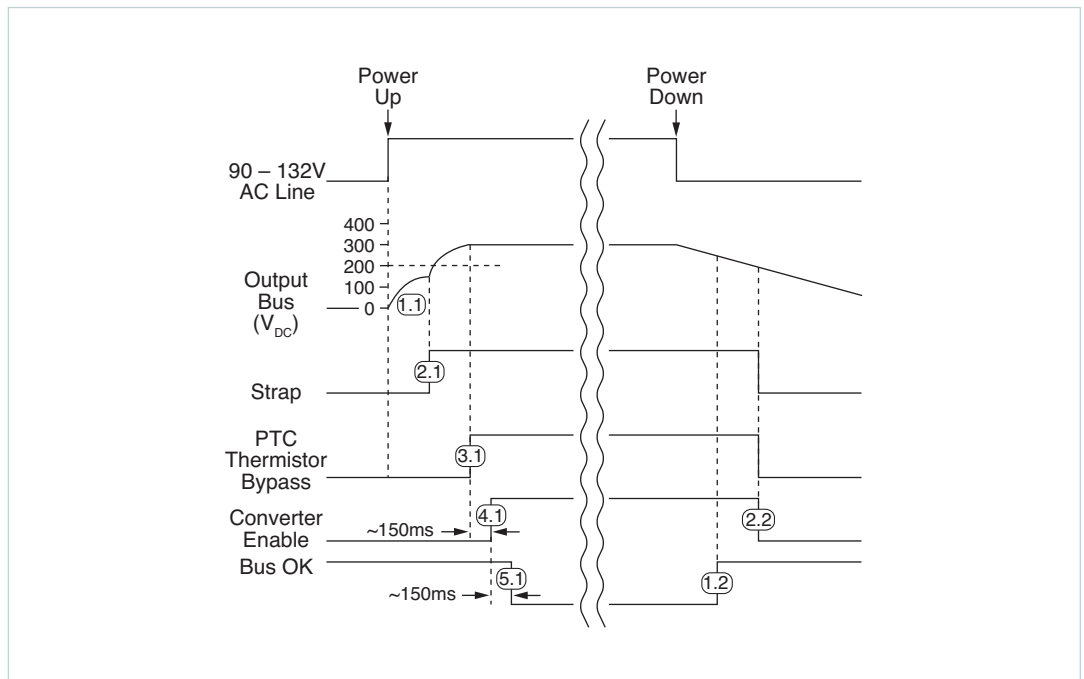


## Functional Description

### Power-Up Sequence

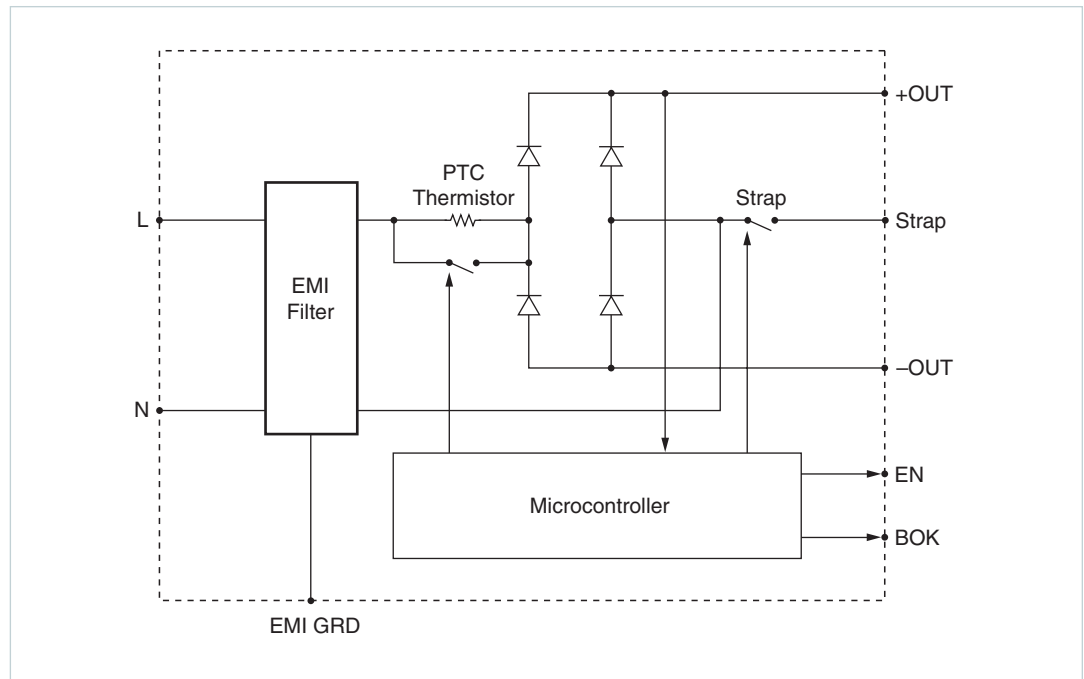
Upon application of input power (see 1.1 of Figure 6), the output bus capacitors begin to charge. The thermistor limits the charge current, and the exponential time constant is determined by the hold-up capacitor value and the thermistor cold resistance. The slope ( $dV/dt$ ) of the capacitor voltage vs. time approaches zero as the capacitors become charged to the peak of the AC line voltage.

**Figure 6**  
Timing diagrams:  
Power-up / -down sequence



The switch that bypasses the inrush limiting PTC (positive temperature coefficient) thermistor is open when power is applied, as is the switch that engages the strap for voltage doubling (see Figure 7). In addition, the converter modules are disabled via the Enable (EN) line, and Bus-OK (BOK) is high.

**Figure 7**  
Functional block diagram:  
autoranging rectifier



- 2.1 If the bus voltage is less than 200V as the slope nears zero, the voltage doubler is activated and the bus voltage climbs exponentially to twice the peak line voltage. If the bus voltage is greater than 200V, the doubler is not activated.
- 3.1 If the bus voltage is greater than 235V as the slope approaches zero, the inrush limiting thermistor is bypassed. Below 235V, it is not bypassed.
- 4.1 The converters are enabled 50ms after the thermistor bypass switch is closed.
- 5.1 Bus-OK is asserted after an additional 50ms delay to allow the converter outputs to settle within specification.

#### Power-Down Sequence

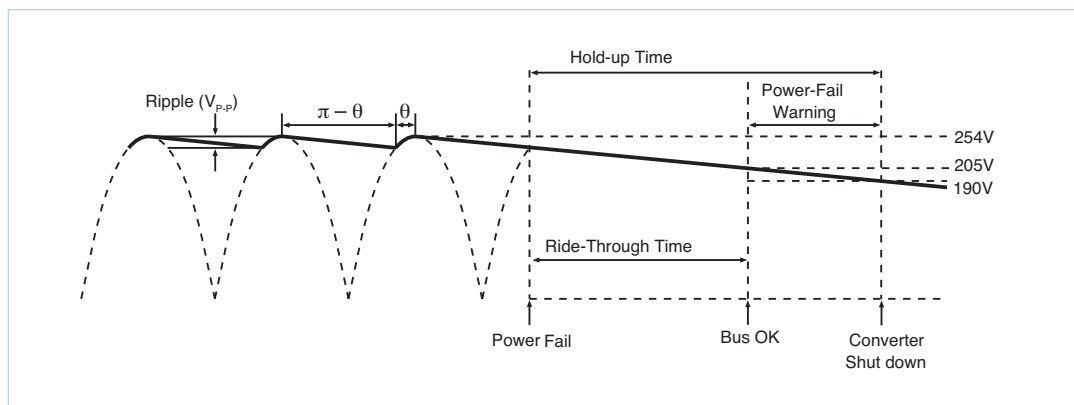
(See Figure 6.) When input power is turned off or fails, the following sequence occurs as the bus voltage decays:

- 1.2 Bus-OK is deasserted when the bus voltage falls below  $210V_{DC}$ .
- 2.2 The converters are disabled when the bus voltage falls below  $190V_{DC}$ . If power is reapplied after the converters are disabled, the entire sequence is repeated. If momentary power interruption occurs and power is re-established before the bus reaches the disable threshold, the power-up sequence is not repeated.

#### Determining Required Hold-Up Capacitors

Hold-up capacitor values should be determined according to output bus voltage ripple, power-fail hold-up time and ride-through time (see Figure 8). Many applications require the power supply to maintain specified output regulation during a momentary power failure of specified duration, i.e., the converters must hold-up or ride through such an event while maintaining undisturbed output voltage regulation. Similarly, many of these same systems require notification of an impending power failure in order to allow time to perform an orderly shut down.

**Figure 8**  
Hold-up time



The energy stored on a capacitor which has been charged to voltage V is:

$$\mathcal{E} = 1/2(CV^2) \quad (1)$$

Where:  $\mathcal{E}$  = stored energy  
C = capacitance  
V = voltage across the capacitor

Energy is given up by the capacitors as they are discharged by the converters. The energy expended (the power-time product) is:

$$\mathcal{E} = P\Delta t = C(V_1^2 - V_2^2)/2 \quad (2)$$

Where: P = operating power  
 $\Delta t$  = discharge interval  
 $V_1$  = capacitor voltage at the beginning of  $\Delta t$   
 $V_2$  = capacitor voltage at the end of  $\Delta t$

Rearranging Equation 2 to solve for the required capacitance:

$$C = 2P\Delta t / (V_1^2 - V_2^2) \quad (3)$$

The hold-up time ( $\Delta t$ ) is defined as the interval between power-fail warning (BOK) and converter shut down (EN) as illustrated in Figure 8. The Bus-OK and Enable thresholds are 205V and 185V, respectively. A simplified relationship between hold-up time, operating power and bus capacitance is obtained by inserting these constants:

$$C = 2P\Delta t / (205^2 - 185^2)$$

$$C = 2P\Delta t / (7,800)$$

It should be noted that the series combination (C1, C2, see Figure 1) requires each capacitor to be twice the calculated value, but the required voltage rating is reduced to 200V.

Allowable ripple voltage on the bus (or ripple current in the capacitors) may define the capacitance requirement. Consideration should be given to converter ripple rejection and resulting output ripple voltage. The ripple rejection, R, of Vicor converters is specified as a function of the input / output voltage ratio:

$$R = 30 + 20\log(V_{IN}/V_{OUT}) \quad (4)$$

For example, a converter whose output is 15V and nominal input is 300V will provide 56dB ripple rejection, i.e., 10V<sub>p.p</sub> of input ripple will produce 15V<sub>p.p</sub> of output ripple. Equation 3 is again used to determine the required capacitance. In this case, V<sub>1</sub> and V<sub>2</sub> are the instantaneous values of bus voltage at the peaks and valleys (see Figure 8) of the ripple, respectively. The capacitors must hold up the bus voltage for the time interval ( $\Delta t$ ) between peaks of the rectified line as given by:

$$\Delta t = (\pi - \theta) / 2\pi f \quad (5)$$

Where: f = line frequency  
 $\theta$  = rectifier conduction angle

The approximate conduction angle is given by:

$$\theta = \cos^{-1} V_2 / V_1 \quad (6)$$

Another consideration in hold-up capacitor selection is their ripple current rating. The capacitors' rating must be higher than the maximum operating ripple current. The approximate operating ripple current (RMS) is given by:

$$I_{RMS} = 2P / V_{AC} \quad (7)$$

Where: P = operating power level  
V<sub>AC</sub> = operating line voltage

Calculated values of bus capacitance for various hold-up time, ride-through time and ripple voltage requirements are given as a function of operating power level in Figures 9, 10 and 11, respectively.

## Example

In this example, the output required from the DC-DC converter at the point of load is 12V<sub>DC</sub> at 320W. Therefore, the output power from the FARM would be 375W (assuming a converter efficiency of 85%). The desired hold up time is 9ms over an input range of 90 – 264V<sub>AC</sub>.

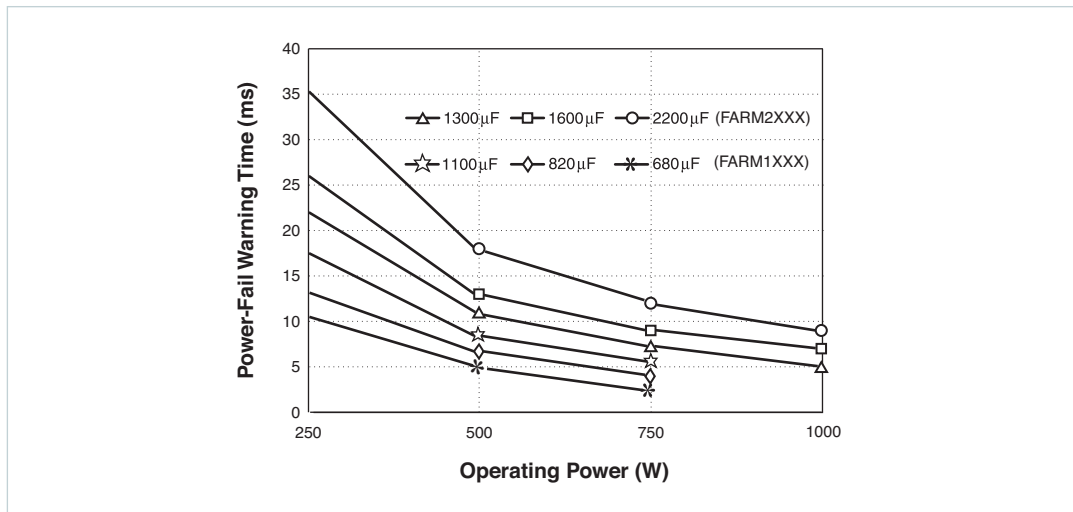
### Determining Required Hold-Up Capacitance

Figure 9 is used to determine hold-up capacitance for a given hold-up time and power level and shows that the total bus capacitance must be at least 820 $\mu$ F. Since two capacitors are used in series, each capacitor must be at least 1,640 $\mu$ F. Note that hold-up time is not dependent on line voltage.

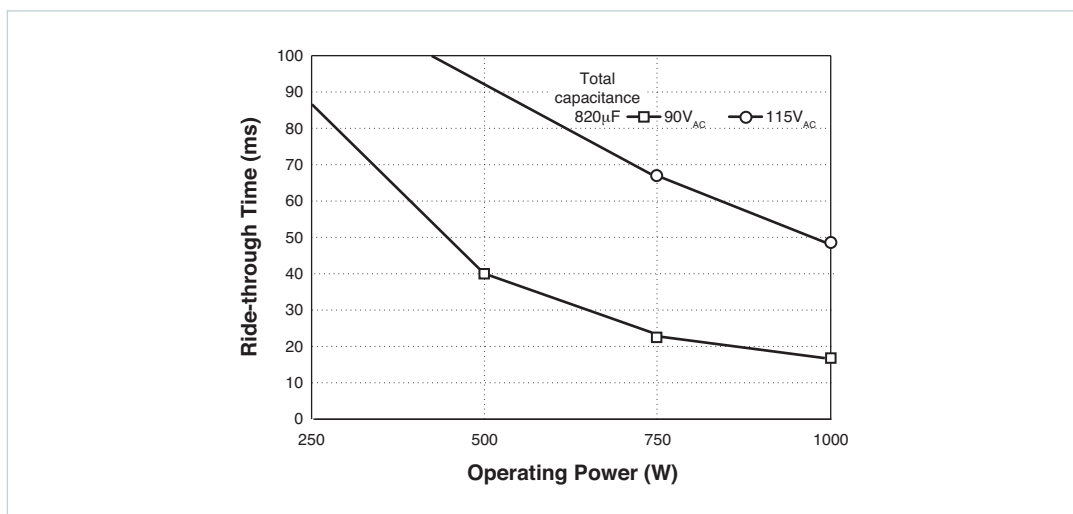
### Determining Ride-Through Time

Figure 10 illustrates ride-through time as a function of line voltage and output power and shows that at a nominal line of 90V<sub>AC</sub>, ride-through would be 68ms. Ride-through time is a function of line voltage.

**Figure 9**  
 Hold-up time vs. operating power and total bus capacitance, series combination of C1, C2 (see Figure 1)



**Figure 10**  
 Ride-through time vs. operating power



#### Determining Ripple Voltage on Hold-Up Capacitors

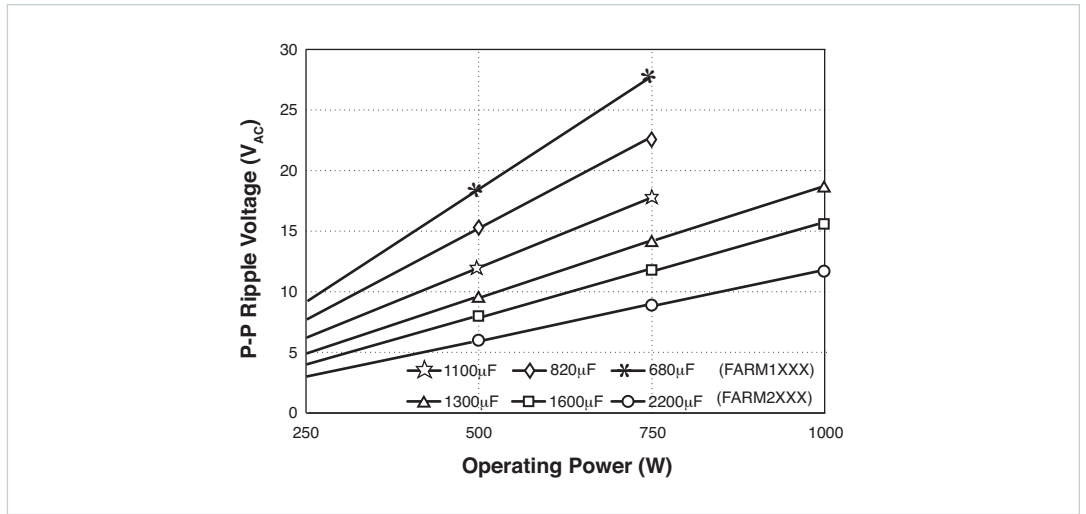
Figure 11 is used to determine ripple voltage as a function of operating power and bus capacitance and shows that the ripple voltage across the hold-up capacitors will be  $12V_{AC}$ .

#### Determining Ripple on the Output of the DC-DC converter

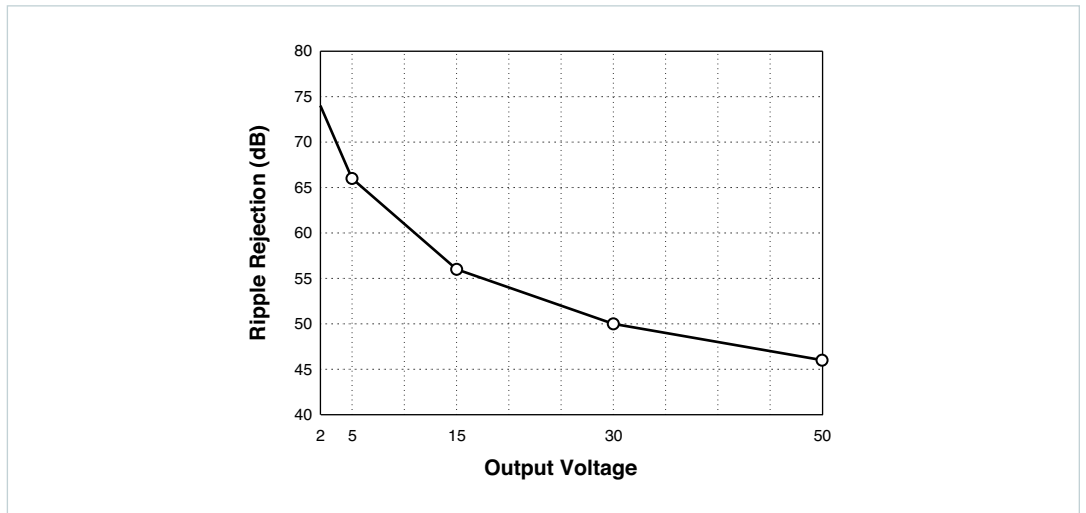
Figure 12 is used to determine the ripple rejection of the DC-DC converter and indicates a ripple rejection of approximately 60dB for a 12V output. Since the ripple on the bus voltage is  $12V_{AC}$  and the ripple rejection of the converter is 60dB, the output ripple of the converter due to ripple on its input (primarily 120Hz) will be  $12mV_{P-P}$ . Note that the Vicor Maxi, Mini, Micro Series converters have greater ripple rejection than either of the VI-200s or VI-J00s.



**Figure 11**  
 Ripple voltage vs.  
 operating power and  
 bus capacitance,  
 series combination of  
 C1, C2 (see Figure 1)



**Figure 12**  
 Converter ripple rejection  
 vs. output voltage



---

## Limitation of Warranties

Information in this document is believed to be accurate and reliable. HOWEVER, THIS INFORMATION IS PROVIDED "AS IS" AND WITHOUT ANY WARRANTIES, EXPRESSED OR IMPLIED, AS TO THE ACCURACY OR COMPLETENESS OF SUCH INFORMATION. VICOR SHALL HAVE NO LIABILITY FOR THE CONSEQUENCES OF USE OF SUCH INFORMATION. IN NO EVENT SHALL VICOR BE LIABLE FOR ANY INDIRECT, INCIDENTAL, PUNITIVE, SPECIAL OR CONSEQUENTIAL DAMAGES (INCLUDING, WITHOUT LIMITATION, LOST PROFITS OR SAVINGS, BUSINESS INTERRUPTION, COSTS RELATED TO THE REMOVAL OR REPLACEMENT OF ANY PRODUCTS OR REWORK CHARGES).

Vicor reserves the right to make changes to information published in this document, at any time and without notice. You should verify that this document and information is current. This document supersedes and replaces all prior versions of this publication.

All guidance and content herein are for illustrative purposes only. Vicor makes no representation or warranty that the products and/or services described herein will be suitable for the specified use without further testing or modification. You are responsible for the design and operation of your applications and products using Vicor products, and Vicor accepts no liability for any assistance with applications or customer product design. It is your sole responsibility to determine whether the Vicor product is suitable and fit for your applications and products, and to implement adequate design, testing and operating safeguards for your planned application(s) and use(s).

VICOR PRODUCTS ARE NOT DESIGNED, AUTHORIZED OR WARRANTED FOR USE IN LIFE SUPPORT, LIFE-CRITICAL OR SAFETY-CRITICAL SYSTEMS OR EQUIPMENT. VICOR PRODUCTS ARE NOT CERTIFIED TO MEET ISO 13485 FOR USE IN MEDICAL EQUIPMENT NOR ISO/TS16949 FOR USE IN AUTOMOTIVE APPLICATIONS OR OTHER SIMILAR MEDICAL AND AUTOMOTIVE STANDARDS. VICOR DISCLAIMS ANY AND ALL LIABILITY FOR INCLUSION AND/OR USE OF VICOR PRODUCTS IN SUCH EQUIPMENT OR APPLICATIONS AND THEREFORE SUCH INCLUSION AND/OR USE IS AT YOUR OWN RISK.

## Terms of Sale

The purchase and sale of Vicor products is subject to the Vicor Corporation Terms and Conditions of Sale which are available at: (<http://www.vicorpower.com/termsconditionswarranty>)

## Export Control

This document as well as the item(s) described herein may be subject to export control regulations. Export may require a prior authorization from U.S. export authorities.

Contact Us: <http://www.vicorpower.com/contact-us>

**Vicor Corporation**  
25 Frontage Road  
Andover, MA, USA 01810  
Tel: 800-735-6200  
Fax: 978-475-6715  
[www.vicorpower.com](http://www.vicorpower.com)

### email

Customer Service: [custserv@vicorpower.com](mailto:custserv@vicorpower.com)  
Technical Support: [apps@vicorpower.com](mailto:apps@vicorpower.com)